

**4K UHD** **LED**

**4K ULTRA Hi-DEFINITION**  
**PROFESSIONAL MONITOR**

<b>4K</b> Display Resolution	 DisplayPort In/Out	 3G-SDI (Option)
 DVI-D Input	 HDMI Input 3ea	 Metal Chassis



**4K98DHDN**

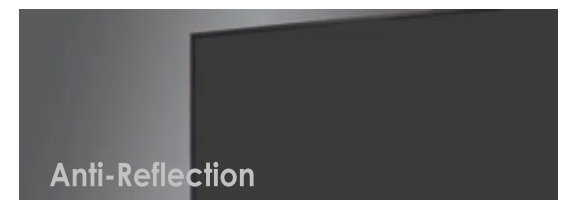
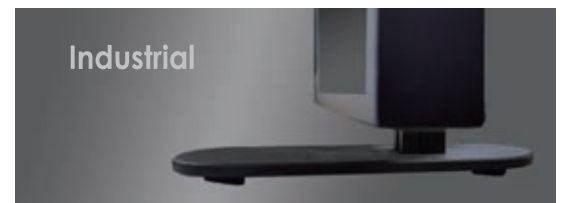
**BUILT TO RUN 24 X 7 X 365 CONTINUOUSLY**

**OVERVIEW**

Our newly developed 97.52 inch professional monitor features a full 4K 3840 x 2160 resolution. These monitors accept 4K signals at the multiple and various interfaces: DisplayPort / 60p, HDMI 60p. There is also optional SDI signal support.

**FEATURES**

- » High Contrast 3840 x 2160 Resolution Panel with LED Backlight
- » Anti-Reflection Front Coating
- » Full 60fps Frame Rate
- » Multi-Input Interface: Display Port, HDMI, DVI, VGA, SDI(Option)
- » Dynamic Contrast: ON / OFF
- » Wide Viewing Angle
- » 3D De-interlace
- » Industrial Grade Metal Cabinet
- » Rotation Screen/OSD menu (90/180/270)



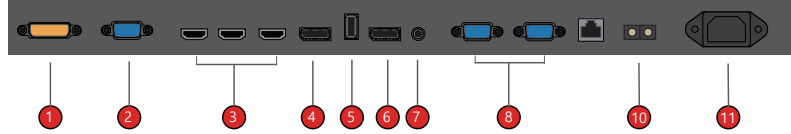
### SPECIFICATIONS

4K98DHDN	
<b>Display</b>	
Screen Size	97.52 Inch
Max. Resolution	3840 x 2160
Pixel Pitch	0.5622 x 0.5622mm
Brightness	500cd/m <sup>2</sup>
Contrast Ratio	1300 : 1
Aspect Ratio	16 : 9
Viewing Angle (H/V)	178° / 178°
Display Color	1.07 Billion
Response Time	< 8ms
Video System	NTSC / PAL
<b>Interface</b>	
Display Port In/ Out	1 / 1
HDMI Input	3
DVI In	1
VGA In	1
3G-SDI In / Out	Option
Audio Out (3.5 Ø stereo)	1
<b>Transmitter</b>	
Remote Control	Yes
<b>Audio</b>	
Built-in Speakers	Yes (5W x 2)
<b>Features</b>	
Multi Display Function	PIP/PBP/TRI/QUAD
Deinterlacing	Yes
Noise Reduction Control (NR)	Yes
Aspect Ratio	Yes
Dynamic Contrast	Yes (On / Off)
Gamma Selection	Yes
<b>General</b>	
Outline Dimension (W x H x D)	2220 x 1295.2 x 320mm (87.40" x 51" x 12.6")
Net Weight	110kg (242.50 lbs)
Material / Color	Metal / Black
Desk Top Stand	Foot Type
Part / Labor	3 Years Parts & Labor
Consumption	< 590W
Electrical Ratings	AC100 ~ 240V(50/60Hz)
Operating Temperature	0° ~ 40° C / 32° ~ 104° F
Storage Temperature	-20° ~ 60° C / -4° ~ 140° F
<b>Mounts</b>	
VESA™ Mount Size	800 x 400mm
Wall	WB-7080

\*Design and specifications are subject to change without notice

### INTERFACE

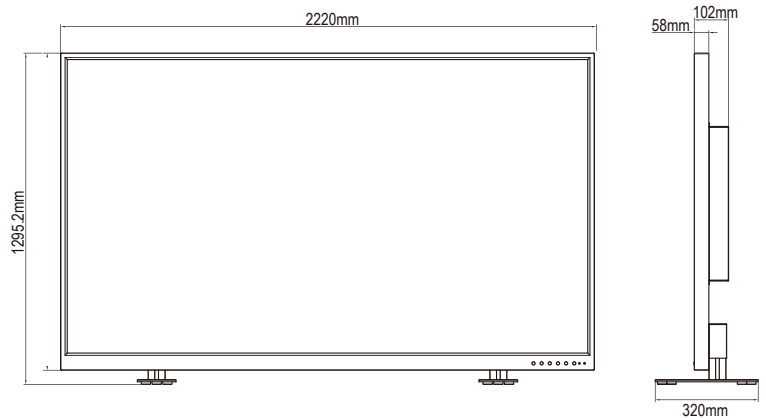
<BOTTOM>



<BOTTOM>

- ① DVI : DVI signal Input
- ② VGA : VGA signal Input
- ③ HDMI1~3 : HDMI1~3 Input
- ④ DP : DP signal Input
- ⑤ USB : FW Update Input
- ⑥ DP : DP signal Output
- ⑦ Audio : Audio Line Output
- ⑧ RS-232 : RS-232 Control Input / Output
- ⑨ Keypad : UTP cable Input for Keypad
- ⑩ Rotary Switch : Setting Set ID
- ⑪ AC Power : AC Power Input

### DIMENSIONS



### PRODUCT VIEW



### OPTIONAL MOUNTS

