



## PREMIUM Series



**350cd/m<sup>2</sup>**  
BRIGHTNESS

**1000:1**  
CONTRAST

**3D**  
FILTER TYPE



PROTECTION



METAL CHASSIS

# 15RTC

BUILT TO RUN **24 X 7 X 365** CONTINUOUSLY

## Overview

ORION PREMIUM RTC Series is our high performance, feature rich monitor line with an All Metal Cabinet, Dual Signal In, Auto Source Sequencing, Trigger Alarm / Sensor, 3D Comb Filter, Deinterlace, Noise Reduction, and LCD Protection Glass providing this series with the versatility and configuration options you need to support your security surveillance applications.

## Features

- Metal Chassis
- 3D Comb Filter / Deinterlace, LCD Protection Glass, Auto Source Sequencing, Multi-Language Support
- BNC Video 2 In / 2 Out, VGA 1 In, USB 1 In, HDMI 1 In, Audio 1 In (Left/Right), PC Stereo 1 In
- Built-In Speakers
- Wall and Rack Mount Kit



**24/7/365**  
Built to run 24 x 7 x 365  
Continuously

### Specification

Display	
Screen Size	15 Inch
Max. Resolution	1024 x 768 @ 75Hz
Pixel Pitch	0.297 x 0.297mm
Brightness	350cd/m2
Contrast Ratio	1000 : 1
Aspect Ratio	4 : 3
Viewing Angle (H/V)	178° / 178°
Display Color	8bits / 16.2 Million
Response Time	< 8ms (Gray to Gray)
Video System	NTSC / PAL
Life Time(Typ.)	50,000Hrs

Interface	
Video In / Out (BNC Type)	2 In / 2 Out
HDMI In	1 In
VGA In (15Pin D-Sub)	1 In
Audio In (RCA Type)	1 Left & Right
PC Stereo In	1 In
USB	1 In

Transmitter	
Remote Control	Yes

Audio	
Built-in Speakers	Yes (1W x 2)

Features	
Filter Type	3D Comb Filter
Deinterlacing	Yes
Advanced Auto Power Recovery	Yes
Noise Reduction Control (NR)	Yes
LCD Protection Glass	Option
Auto Source Sequencing	Yes
Multi Language	English, Spanish, French, German, Italian

General	
Outline Dimension	347x296x81mm(13.66"x11.65"x3.19")
Net Weight	4.15 Kg (9.15 lbs)
Material / Color	Metal / Black
Desk Top Stand	Tilt Back
Part / Labor	3year / 3year
Consumption: < On	DC12V 3A / < 17W
Operating Temperature	0° ~ 40°C / 32° ~ 104°F
Storage Temperature	-20° ~ 60°C / -4° ~ 140°F

Mounts	
VESATM Mount Size	100 x 100mm
Wall	WB-5, WB-10, WB-30, WB-31
Ceiling	CMK-01
RACK	RMK-08

※ Design and specifications are subject to change without notice

### ADVANTAGES

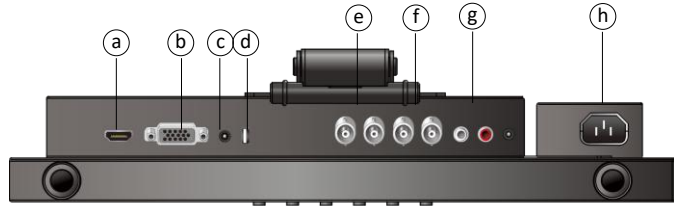
In signal processing, a comb filter adds a delayed version of a signal to itself, causing constructive and destructive interference. The frequency response of a comb filter consists of a series of regularly-spaced spikes, giving the appearance of a comb



Before 3D Comb Filter

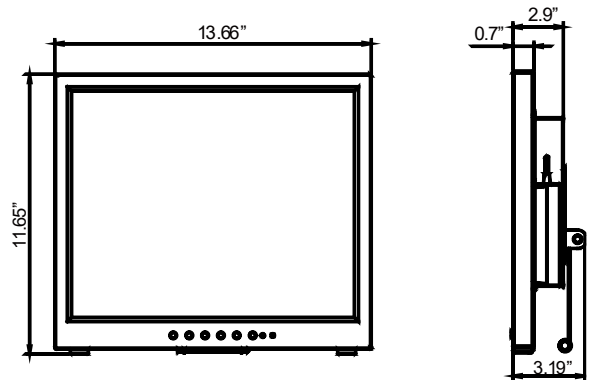
After 3D Comb Filter

### Interface



- a) HDMI In
- b) VGA In
- c) PC Stereo In
- d) USB(Update)
- e) Video1 In/Out
- f) Video2 In/Out
- g) Audio(L/R)
- h) DC 12V

### Dimension



### Optional Mounts

